



Features (特长)

- Magnetically shielded construction
(闭磁路构造设计)
- Compact and thin (轻便薄小)
- Wire burst resistant due to special construction.
(断线对策构造)

Applications (用途)

- DC-DC converter transformer, LSD TV, Notebook, VCR Camera.
(直流转换变压器、液晶电视、笔记型计算机、摄影机)

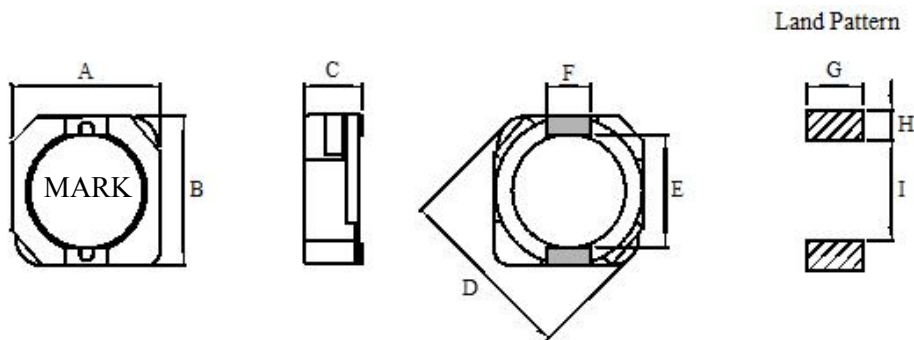
Product Identification (产品识别)

SDH103R - ____ - ____ (Ex. SDH103R-100M)

1 2 3

1. SMT Shielded Power Inductors (闭磁式功率电感) (SDH103R / SDH104R / SDH105R)
2. Inductance (电感值)
3. Tolerance (误差值) (参照表 K:10%, L:15%, M:20%, N:30%)

Configurations & Dimensions (结构图及规格尺寸)



Unit In: mm

Type (型式)	A (max)	B (max)	C (max)	D (max)	E ±0.3	F ±0.1	G	H	I
SDH103R	10.3	10.4	3.0	13.5	7.7	3.0	3.6	1.7	7.3
SDH104R	10.3	10.4	4.0	13.5	7.7	3.0	3.6	1.7	7.3
SDH105R	10.3	10.4	5.0	13.5	7.7	3.0	3.6	1.7	7.3

*Design as Customer' s Requested Specifications. (可依客户特殊需求设计)

SDH103R / SDH104R / SDH105

Codes	L (μ H)	Tolerance	Test Freq. (KHz)	DCR (Ω) max			Isat (A) max		
				103R	104R	105R	103R	104R	105R
1R3	1.3	N	100	-	0.081	-	-	10.0	-
2R5	2.5	N	100	-	0.010	-	-	7.50	-
3R8	3.8	N	100	-	0.013	-	-	6.00	-
5R2	5.2	N	100	-	0.022	-	-	5.50	-
7R0	7.0	N	100	-	0.027	-	-	4.80	-
100	10.0	M	100	0.0581	0.035	0.0258	2.70	4.40	4.50
120	12.0	M	100	0.0721	-	0.0320	2.25	-	3.80
150	15.0	M	100	0.0865	0.050	0.0400	2.22	3.60	3.70
180	18.0	M	100	0.1161	-	0.0460	1.90	-	3.10
220	22.0	M	100	0.1454	0.073	0.0585	1.78	2.90	3.00
270	27.0	M	100	0.1759	-	0.0654	1.63	-	2.60
330	33.0	M	100	0.2134	0.093	0.0814	1.46	2.30	2.50
390	39.0	M	100	0.2689	-	0.1031	1.32	-	2.25
470	47	M	100	0.2986	0.128	0.1221	1.18	2.10	2.20
560	56	M	100	0.3358	-	0.1448	1.10	-	1.90
680	68	M	100	0.4513	0.213	0.1930	1.04	1.50	1.60
820	82	M	100	0.5138	-	0.2194	0.94	-	1.50
101	100	M	100	0.7000	0.304	0.2470	0.84	1.35	1.35
121	120	M	100	0.7650	-	0.2984	0.76	-	1.20
151	150	M	100	0.8763	0.506	0.3551	0.70	1.15	1.15
181	180	M	100	-	-	0.3943			1.10
221	220	M	100	-	0.756	0.4838	-	0.92	1.00
271	270	M	100	-	-	0.6325			0.80
331	330	M	100	-	1.090	0.7800	-	0.70	0.75
391	390	M	100	-	-	0.9575	-	-	0.70
471	470	M	100	-	-	1.2204	-	-	0.54
561	560	M	100	-	-	1.3524	-	-	0.52
681	680	M	100	-	-	1.5192	-	-	0.51
821	820	M	100	-	-	1.6944	-	-	0.48
102	1000	M	100	-	-	1.9464	-	-	0.42

※Operating Temp. : $-40^{\circ}\text{C} \sim +100^{\circ}\text{C}$

※Inductance drop=25% typ. at Isat.

※ $\Delta T=40^{\circ}\text{C}$ rise at Irms.