



Features (特长)

- Magnetically shielded construction
(闭磁路构造设计)
- Compact and thin (轻便薄小)
- Large Current and Low DCR
(大电流低直流阻抗)

Applications (用途)

- DC-DC converter of portable equipment.
(携带机器之直流转换器)
- Camcorder, LCD television set, Digital camera, P. D. A., Notebook.
(摄影机、液晶电视、数位相机、P. D. A.、笔记型计算机)
- Small size communication equipment.
(小型通信机器)

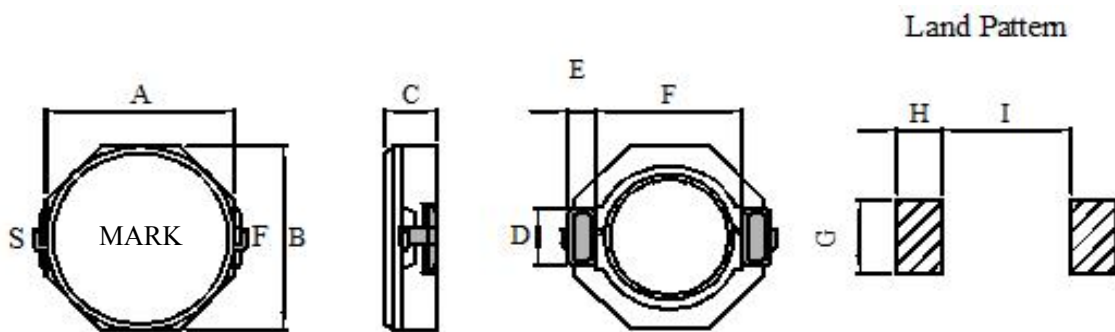
Product Identification (产品识别)

SDH8D28 — _____ (Ex. SDH8D28-2R5N)

1 2 3

1. SMT Shielded Power Inductors (闭磁式功率电感)
(SDH8D28, SDH8D43)
2. Inductance (电感值)
3. Tolerance (误差值) (参照表 K:10%, L:15%, M:20%, N:30%)

Configurations & Dimensions (结构图及规格尺寸)



Unit In: mm

Type (型式)	A (max)	B (max)	C (max)	D	E	F	G	H	I
SDH8D28	8.3	8.3	3.0	2.5	1.2	6.3	2.8	2.0	6.1
SDH8D43	8.3	8.3	4.5	2.5	1.2	6.3	2.8	2.0	6.1

♣Design as Customer' s Requested Specifications. (可依客户特殊需求设计)

SDH8D28/SDH8D43

Codes	L (μ H)	Tolerance	Test Freq. (KHz)	DCR (Ω) max		Isat (A)	
				8D28	8D43	8D28	8D43
2R0	2.0	N	100	-	0.014	-	7.00
2R5	2.50	N	100	0.0156	-	4.50	-
3R3	3.30	N	100	0.0182	-	4.00	-
3R9	3.90	N	100	-	0.019	-	5.90
4R7	4.70	N	100	0.0247	0.022	3.40	5.60
6R8	6.80	N	100	-	0.025	-	4.40
7R3	7.30	N	100	0.0390	-	2.80	-
100	10.00	N	100	0.0470	0.036	2.50	4.00
150	15.00	N	100	0.0690	0.053	1.90	2.90
220	22.00	N	100	0.0990	0.075	1.60	2.60
330	33.00	N	100	0.1560	0.125	1.30	2.20
470	47.00	N	100	0.1950	0.150	1.15	1.80
680	68.00	M	100	0.2860	0.240	0.92	1.50
101	100.00	M	100	0.4300	0.360	0.75	1.30

※Test Freq. : 100KHz / 1V.

※Operating Temp. : $-40^{\circ}\text{C} \sim +105^{\circ}\text{C}$

※Inductance drop = 35% typ. at Isat.

※ $\Delta T=40^{\circ}\text{C}$ rise at Irms.